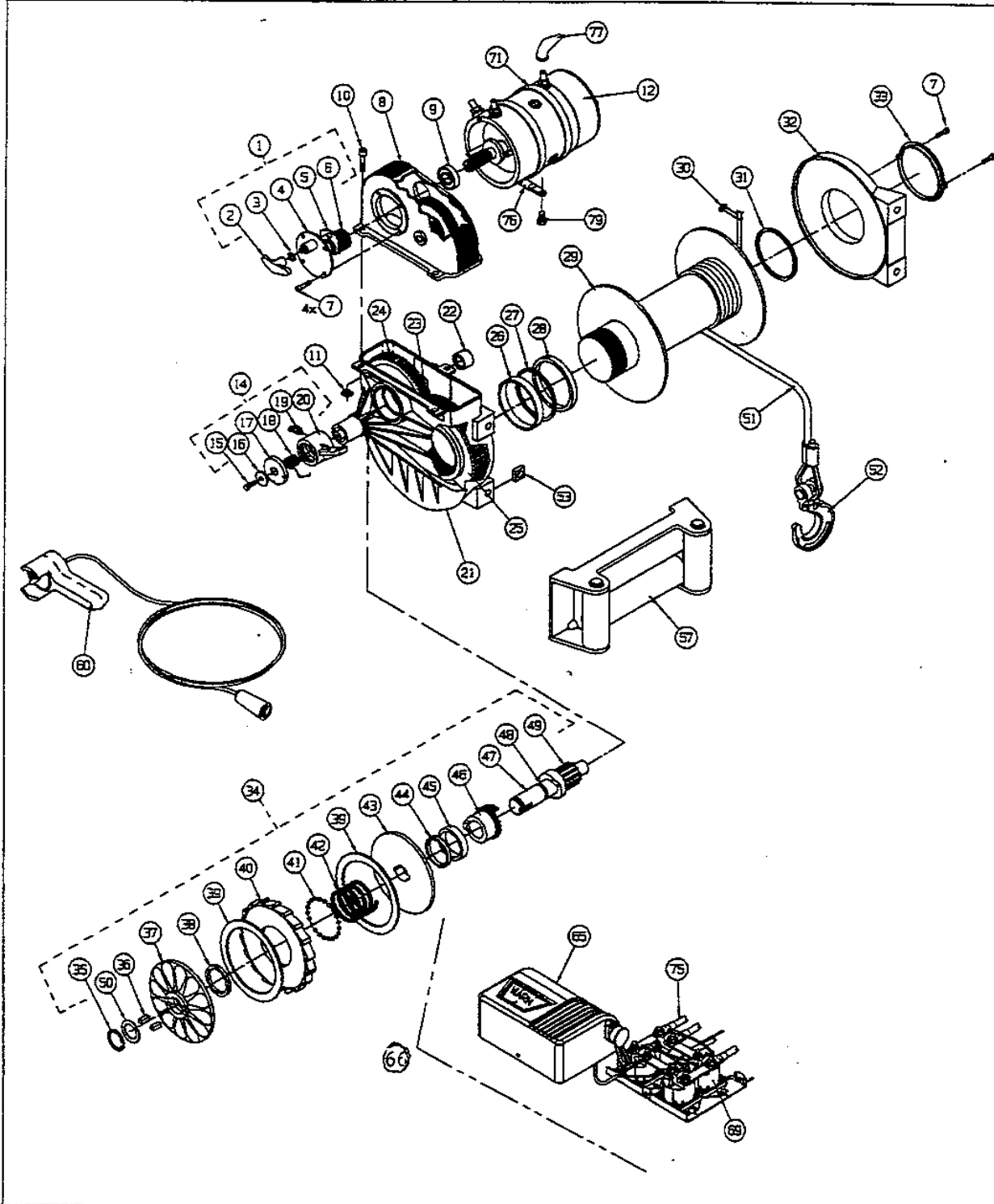


M8274-50

SERIAL NO. 620868 AND UP



| WARN M8274-50 WINCH REPLACEMENT PARTS LIST | | | |
|--|-----|----------|---|
| SERIAL NO. 620868 AND UP | | | |
| P/N 38631 | | | |
| ORDERING INFORMATION: When ordering please give Warn Model number, Serial number & Battery voltage. Parts may be obtained through your local dealer or distributor. | | | |
| ITEM | QTY | PART NO. | DESCRIPTION |
| 1 | 1 | 8326 | CLUTCH ASSEMBLY (Includes items 2-5) |
| 2 | 1 | 37474 | SHIFT KNOB |
| 3 | 1 | 7596 | SEAL |
| 4 | 1 | 37476 | CLUTCH HOUSING |
| 5 | 1 | 8322 | SHIFTER ASSEMBLY |
| 6 | 1 | 15879 | MOTOR PINION GEAR |
| 7 | 6 | 8763 | SCREW, 10-24X3/8" |
| 8 | 1 | 9285 | UPPER HOUSING ASSY (Includes item 9 and gears) |
| NOTE: DUE TO TECHNICAL ASSEMBLY REQUIREMENTS, THE UPPER HOUSING AND CLUSTER GEARS ARE NOT SOLD SEPARATELY. | | | |
| 9 | 1 | 8316 | ARMATURE, BEARING |
| 10 | 3 | 3962 | CAPSCREW, 5/16-18" |
| 11 | 3 | 7953 | SQUARE NUT, 5/16-18 |
| 12 | 1 | 7536 | MOTOR, 12V (Includes item 6 & 79) |
| 14 | 1 | 7605 | PAWL, ASSY (Includes items 15 thru 20) |
| 15 | 1 | 8867 | CAPSCREW, 1/4-20X1/2" |
| 16 | 1 | 9256 | WASHER |
| 17 | 1 | 9220 | PROTECTIVE CAP |
| 18 | 1 | 9257 | PAWL SPRING |
| 19 | 1 | 9245 | GREASE FITTING |
| 20 | 1 | 9258 | PAWL |
| 21 | 1 | 7594 | LOWER HOUSING ASSY, (Includes items 22, 26 & 27) |
| 22 | 1 | 8356 | BEARING |
| 23 | 1 | 7552 | RETAINING RING |
| 24 | 1 | 7548 | INTERMEDIATE GEAR |
| 25 | 1 | 7550 | MAIN GEAR |
| | | 8680 | SERVICE KIT, LOWER HOUSING (Includes items 26 thru 28, & 31) |
| 26 | 1 | | BUSHING (IN 8680 KIT) |
| 27 | 1 | | SEAL (IN 8680 KIT) |
| 28 | 1 | | THRUST WASHER (IN 8680 KIT) |
| 29 | 1 | 7708 | DRUM |
| 30 | 1 | 2048 | WIRE ROPE CLAMP |
| 31 | 1 | 7610 | BUSHING (IN 8680 KIT) |
| 32 | 1 | 7532 | END SUPPORT, ASSEMBLY (Includes items 31, 33 and 7) |
| 33 | 1 | 7582 | END CAP |

| WARN M8274-50 WINCH REPLACEMENT PARTS LIST | | | |
|--|-----|----------|--|
| ORDERING INFORMATION: When ordering please give Warn Model , Serial number & Battery voltage. Parts may be obtained through your local dealer or distributor. | | | |
| ITEM | QTY | PART NO. | DESCRIPTION |
| 34 | 1 | 7634 | BRAKE ASSEMBLY, (Includes items 35 thru 50) |
| 35 | 1 | 35028 | RETAINING RING |
| 36 | 2 | 7668 | KEY |
| | | 8409 | SERVICE KIT , BRAKE (Includes items 35, 36, 38, 39, 41, 42, 44, 45, 48 and 50) |
| 37 | 1 | 8703 | OUTER BRAKE DISC |
| 38 | 1 | | HUB (IN 8409 KIT) |
| 39 | 2 | 9734 | FRICITION MATERIAL |
| 40 | 1 | 7601 | RATCHET |
| 41 | 21 | | STEEL BALL(IN 8409 KIT) |
| 42 | 1 | | SPRING(IN 8409 KIT) |
| 43 | 1 | 7600 | INNER BRAKE DISC |
| 44 | 1 | 7612 | LIP SEAL |
| 45 | 1 | 7611 | BUSHING |
| 46 | 1 | 7562 | SPLINED CAM |
| 47 | 1 | 7732 | PINION AND CAM (Includes item 49) |
| 48 | 1 | 7613 | O-RING SEAL |
| 49 | 1 | | CAM |
| 50 | 3 | 37472 | SPRING, DISC BELLEVILLE |
| 51 | 1 | 26749 | WIRE ROPE ASSEMBLY |
| 52 | 1 | 5320 | HOOK, 3/8" CLEVIS |
| 53 | 4 | 7616 | SQUARE NUT |
| 57 | 1 | 5742 | FAIRLEAD, ROLLER |
| 65 | 1 | 38626 | REMOTE CONTROL |
| 60 | 1 | 38199 | CONTROL HOUSING, 12V, W/HARNES, W/PLUG |
| 66 | 1 | 38845 | SOLENOID PACK, 12V |
| 69 | 4 | 28396 | SOLENOID, UPRIGHT TERMINAL |
| 71 | 2 | 6005 | CLAMP |
| 75 | 1 | 33295 | CABLE, ELECTRIC 2GA. 72" (RED) |
| 76 | 1 | 15901 | CABLE, ELECTRIC 2GA. 72" (BLACK) |
| 77 | 3 | 2090 | BOOT, ELECTRICAL TERMINAL |
| 79 | 1 | 26744 | HEX HEAD CAPSCREW, M8 X 1.25 X 12mm |

P/N 37492 REV D0